

Assembly Instructions

4314

Series: Casa

Product No. 4314 OL

T24 JA8-2016

HINKLEY

L I G H T I N G

Start Here

First find a clear area in which to work and read through all the instructions provided with this fixture, prior to starting assembly.

Step 1. Take the knock down socket cluster assembly (1) and proceed to thread the lead wires and copper ground (B) through center pipe (C) and top loop (D). After, thread socket cluster assembly (1) to center pipe (C) being very careful not to cut the lead wires (B) As shown in (Diagram 1).

Step 2. Take the cluster socket assembly(1) and the 3 uprights with center twist and threaded stud (A) Proceed to slip the threaded stud through the hole in the top schroll (3) and thread on the ball knob (4) provided with the fixture to secure in place as shown in (Diagram 2) . Repeat this step 2 more times.

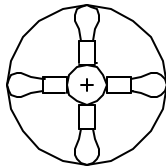
Step 3. Now proceed to slip the glass retainer ring with schrolls and through holes (5) onto the 3 uprights with center twist and threaded stud (A) and thread on the ball knobs (B) provided with the fixture to secure in place as shown in (Diagram 3). Repeat this step 3 more times.

Glass Installation

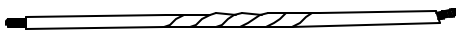
Step 1. (This step should be completed after the fixture is wired and attached to the junction box as set forth in the mounting instruction sheet). After the above steps are completed, proceed to carefully place glass (5) into the glass retainer ring with schrolls (4)

Parts List

1. Cluster Socket Assembly (Part 1).



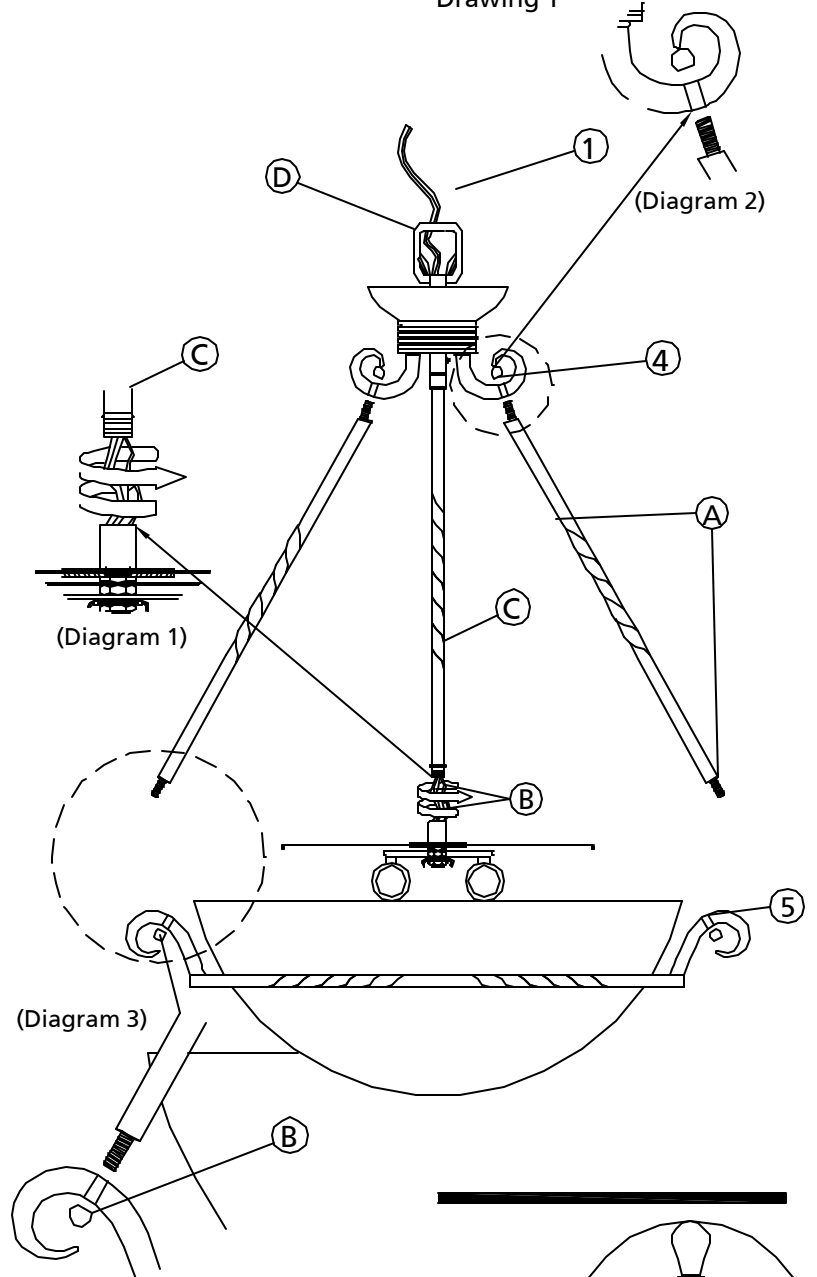
2. Upright with twisted center (Part 3).



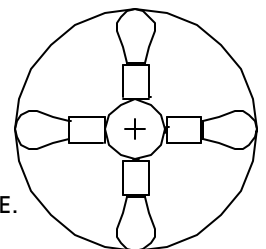
3. Ball Knob. (Part 4).



Drawing 1



CAUTION: RISK OF FIRE.
USE ONLY 75 WATT
MAX MED BASE LAMPS
TYPE A



Mounting Instructions for 4314 OL

1. Shut current off before starting. If the fixture you are replacing is turned on and off by a wall switch, simply turn the switch off. If not, remove the appropriate fuse (or open the circuit breakers) until the fixture is dead. Do not restore current - either by fuse, breaker or switch - until the new fixture is completely wired and in place.

2. Fasten mounting strap (1) to outlet box (A) with the original outlet box screws (2).

3. Thread nipple (3) in to the mounting strap (1), as illustrated. Tighten nut (8) against mounting strap (1) to lock nipple in place.

4. Thread loop (4) on to end of nipple (3).

5. Slip canopy (B) over loop (4) and adjust height of loop so half of thread area is exposed. (see Drawing 3 below)

6. Taking the chain, determine the length you require, and attach one end of the chain to the fixture. Now slip loop collar (4A) and canopy (B) onto chain.

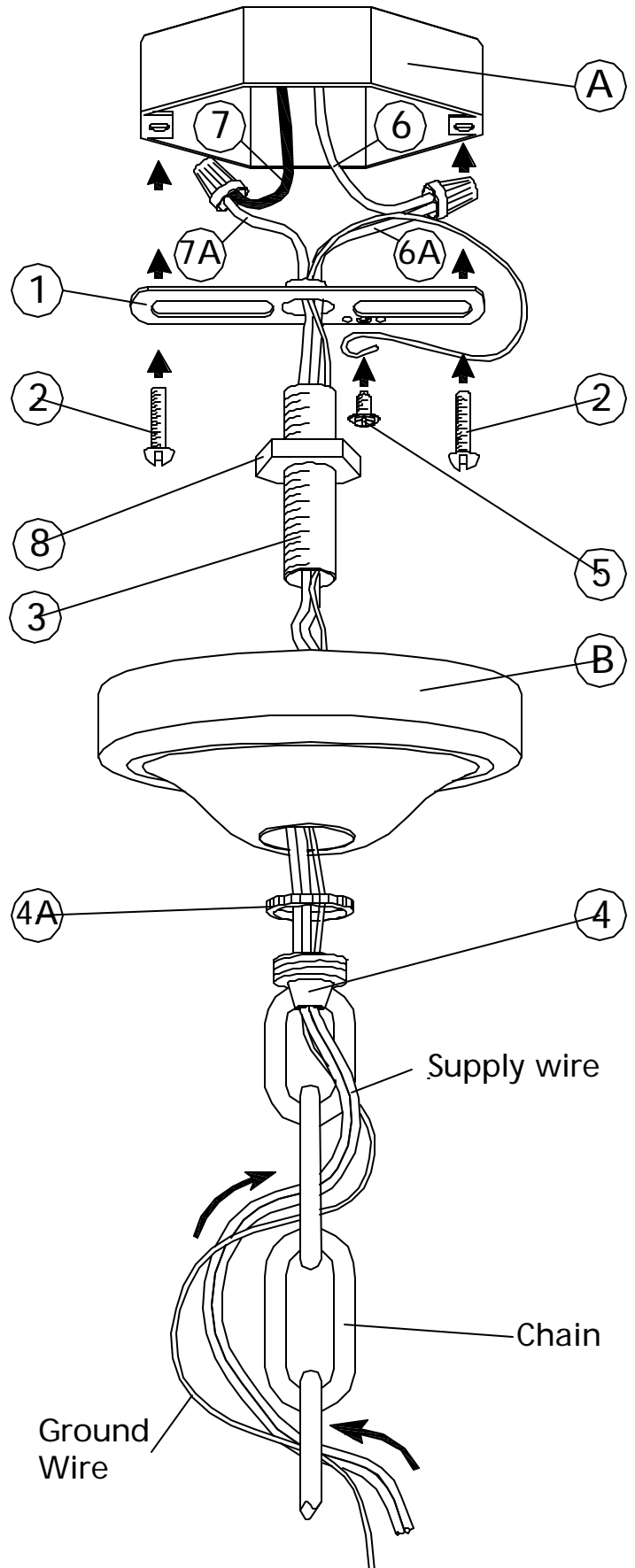
7. Now attach other end of chain to loop (4). Please get assistance during this step. Since fixture may be heavy and difficult to hold while attaching chain.

8. Unwrap supply wire and ground wire and weave them up through the chain. Then slip supply wire and ground wire through center of loop (4).

9. Connect ground wire to mounting strap (1) using green ground screw (5).

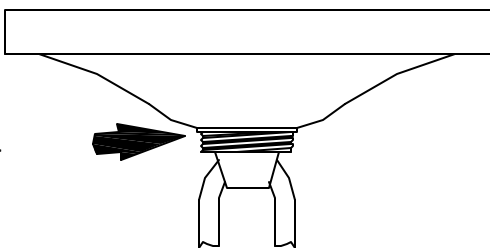
10. Now connect outlet box wires to fixture leads. Important: connect white outlet box wire (6) to ribbed or white fixture lead (6A). Then connect black or red outlet box wire (7) to smooth or black fixture lead (7A).

11. Slip canopy up firmly against the ceiling, and secure by turning the threaded collar (4A) on loop (4) until tight.



Drawing 3

half of thread area of loop (4) is to be exposed. This will allow collar (4A) to be threaded on later.



I.S. 18

Wiring & Grounding Instructions

SAFETY WARNING: Read wiring and grounding instructions and any additional installation directions. Turn power supply off during installation. If new wiring is required, consult a qualified electrician or local authority for code requirements.

WIRING INSTRUCTIONS (INDOOR FIXTURES): Connect positive supply wire (black or red) to positive fixture lead with appropriately sized twist-on connector. Connect negative (white) supply wire to negative fixture lead.

WIRING INSTRUCTIONS (OUTDOOR FIXTURES): Connect positive supply wire (black or red) to positive fixture lead with appropriately sized twist-on connector. Connect negative (white) supply wire to negative fixture lead.

Cover open end of connectors with silicone sealant to form a watertight seal. If installing a wall-mount fixture, use caulk to seal gaps, between the fixture mounting plate (backplate) and the wall. This will help prevent water from entering the outlet box. If the wall surface is lap siding, use caulk and a fixture mounting platform specially designed for lap siding.

IDENTIFICATION OF FIXTURE LEADS:

POSITIVE: Black, or with woven plain cloth cover or smooth and unmarked side of two-conductor cord.

NEGATIVE: White, or with woven cloth cover with tracer, or with ribbed or printed side of two conductor cord.

GROUNDING INSTRUCTIONS:

FOR FLUSH-MOUNT FIXTURES: For positive grounding in a 3-wire electrical system, fasten the system ground to the fixture mounting strap with the green ground screw. Note: On straps for screw supported fixtures, first install the two mounting screws in strap. Any remaining tapped hole may be used for the ground screw.

FOR CHAIN HUNG FIXTURES: Loop fixture ground wire under the head of the ground screw on mounting strap, and connect the loose end of the fixture ground wire directly to the ground wire of the building system, with appropriately sized twist-on connectors.

FOR POST - MOUNT FIXTURES: Connect fixture ground to power supply ground with appropriately sized twist-on connector inside post. Cover open end of connector with silicone sealant to form a watertight seal.

WIRING DIAGRAMS:

