



Job Name:

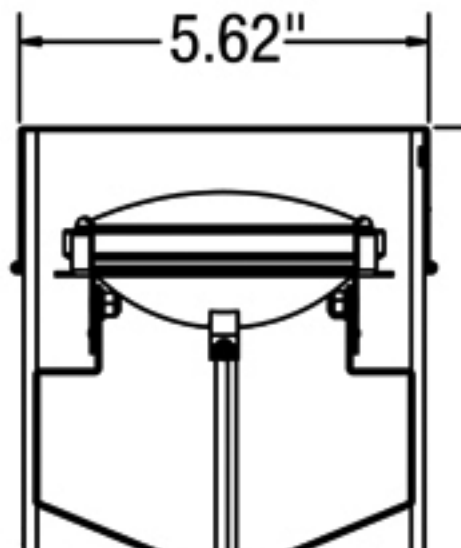
Job Type:

Comments:

Quantity:

91068-147: Cardinal Well Light, 24

Specification Images:



Collections: Imperial (Primary)
Cardinal

Simple, discrete and versatile describes the design and function of this powerful inground well light. Using a PAR 36, 35 watt wide flood lamp to cast an ample beam spread against any landscape element. The featured patented stainless steel gimble ring holds the lamp in place while allowing vertical and horizontal adjustments within the composite body. Fixture also includes a 1" brass debris guard to allow for above ground installation.

Dimensions:

Diameter: 5 5/8" **Wire:** 300" (color/Brown)
Height: 8"

Brass Copper Debris Guard & Terra Therma Composite Housing Construction

Bulbs:

1 - screw terminal Par36 35w max 24v - included

1" Brass Debris Guard with Clear Lens

Features:

- Uses necked glass only for thumb screw fitters

In-Ground Mount

Material List:

1 Housing - Composite - Undefined
1 Construction - Brass - Weathered Brass

Use of other manufacturers' components and power management system materials will void warranty, listing, and present a possible safety hazard. Please use caution when specifying lamps by selecting the proper voltage, base type, and wattage lamp when designing and installing any lighting system.

Safety Listing:

cETL Listed for Wet Locations

UPC #:785652173202

Instruction Sheets:

English (CARDINAL)

Finish: Weathered Brass (147)

Replacement Bulb Data:

Product #	Type	Base	Watts	Watts Consumed	Volts	Hours	Lumens	Temp (°K)	CRI
97066	Par36	screw terminal	35	35	24v	4000	30	3050	

Shipping Information:

Package Type	Product #	Quantity	UPC	Length	Width	Height	Cube	Weight	UPS Ship
--------------	-----------	----------	-----	--------	-------	--------	------	--------	----------

Individual	91068-147	1	785652173202						Yes
------------	-----------	---	--------------	--	--	--	--	--	-----